

Type: Tension & Compression

Material: Stainless Steel

Protection: IP 68

Features: Hermetically Closed
Lighting Surges Protection

Application: Hopper Scales, Testing Machine

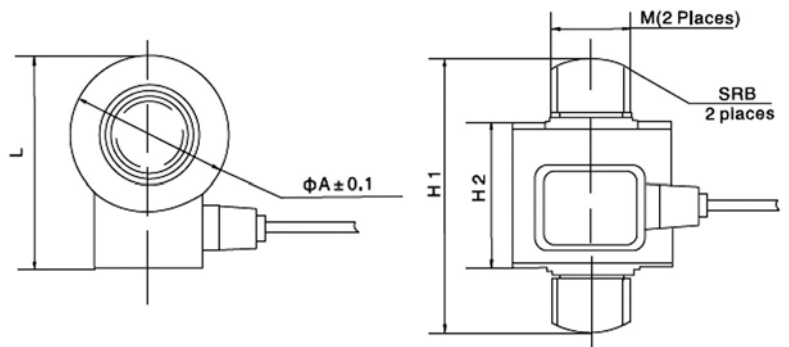
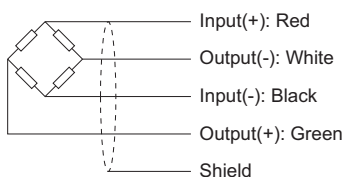


Specifications:

Capacity	t	10 / 20 / 25 / 30 / 40 / 50 / 100
Accuracy Class		C2
Max. Number of Verification Intervals	n_{max}	2000
Minimum Load cell Verification Interval	V_{min}	$E_{max}/5000$
Temperature Effect on Zero	%FS/10°C	$\leq \pm 0.02$
Temperature Effect on Sensitivity	%FS/10°C	$\leq \pm 0.02$
Combined Error	%FS	$\leq \pm 0.03$
Output Sensitivity	mv/v	1.5 ± 0.002
Input Resistance	Ω	700 ± 7
Output Resistance	Ω	703 ± 4
Insulation Resistance	M Ω	≥ 5000
Zero Balance	%FS	± 1
Temperature, Compensated	°C	-10 ~ +40
Temperature, Operating	°C	-35 ~ +65
Excitation, Recommended	v	5 ~ 18
Safe Overload	%FS	150
Ultimate Overload	%FS	300
Standard Cable Length	m	20

Dimensions:

CAP.(t)	H1	H2	FA	L	M	SRB
10-20	180	69.3	73	99.7	M36x3	200
25-30	200	70	88.9	115.6	M42x3	250
40-50	250	99.3	105	138.3	M56x4	300
100	350	131.9	152.4	183.9	M76x4	400



All dimensions: mm.