

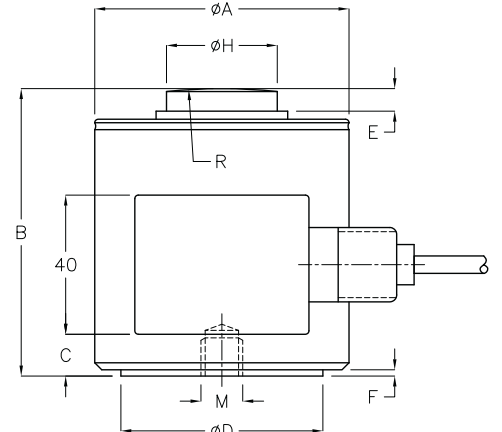
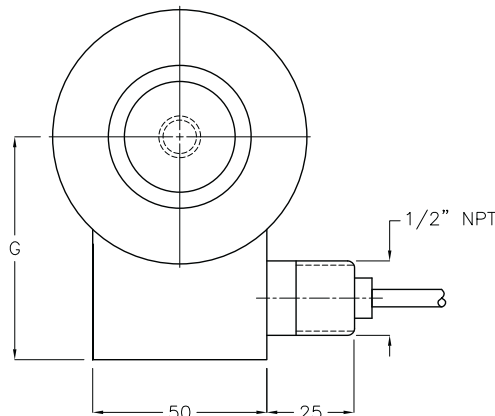
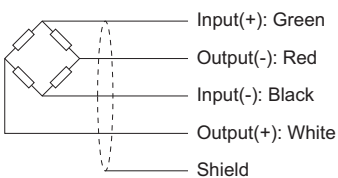
- Type:** Compression
- Material:** Stainless Steel
- Protection:** IP 68
- Features:** High Accuracy
Four Columns Construction
- Application:** Weighbridge Road
Weighbridge Rail
Truck & Silo Scales
Hopper Weigher



Specifications:

Capacity	t	10 / 25 / 40 / 60 / 100	
Accuracy Class		C3	A5
Max. Number of Verification Intervals	n_{max}	3000	5000
Minimum Load cell Verification Interval	V_{min}	$E_{max}/7500$	$E_{max}/15000$
Temperature Effect on Zero	%FS/10°C	$\leq \pm 0.019$	$\leq \pm 0.014$
Temperature Effect on Sensitivity	%FS/10°C	$\leq \pm 0.011$	$\leq \pm 0.013$
Combined Error	%FS	$\leq \pm 0.020$	$\leq \pm 0.026$
Creep	%FS	$\leq \pm 0.016$	$\leq \pm 0.017$
Output Sensitivity	mv/v	2.0 \pm 0.002	
Input Resistance	Ω	450 \pm 4.5	
Output Resistance	Ω	480 \pm 5	
Insulation Resistance	M Ω	≥ 5000	
Zero Balance	%FS	1.0	
Temperature, Compensated	°C	-10 ~ +40	
Temperature, Operating	°C	-40 ~ +80	
Excitation, Recommended	v	5 ~ 12(DC)	
Safe Overload	%FS	150	
Ultimate Overload	%FS	300	
Standard Cable Length	m	10 (10t) , 20 (25t ~ 100t)	

Dimensions:



CAP.(t)	A	B	C	D	E	F	G	H	M	R
10,25	73.0	82.5	12.0	58	6.5	1.8	64.0	31.8	M12x1.75(11 Deep)	152.0
40,60	105.0	127.0	34.0	82.5	8.0	11.0	87.0	58.7	M20x2.5(20 Deep)	152.0
100	152.4	184.2	72.3	123.8	23.6	21.8	108.2	79.2	M20x2.5(20 Deep)	432.0

All dimensions: mm.