

Type: Pressure Transmitters

Material: Stainless Steel

Protection: IP 65

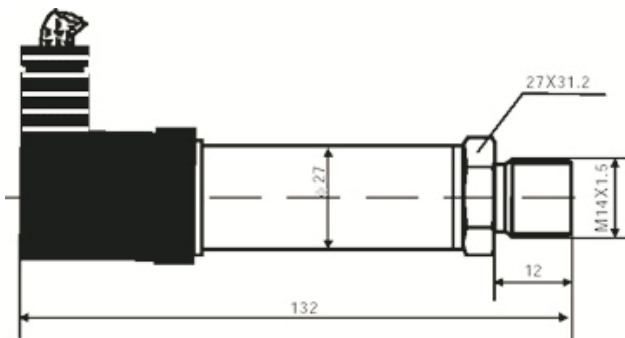
- Features:**
- Airproofed structure with high stability
 - High accuracy and high reliability
 - Small volume, light weight and very convenient to use
 - Can be matched with record instruments or computer
 - Suitable for precision measuring for all kinds of static or non-crystal liquids, gases
 - Applicable for high capacity pressure measurement that changes slowly



Specifications:

Capacity	Bar	10, 20, 30, 50, 80, 100, 150, 200, 250, 300, 350, 400, 450, 500, 600, 700
Accuracy Class		B C
Non-linearity	%FS	0.2 0.3
Repeatability	%FS	0.2 0.3
Hysteresis	%FS	0.2 0.3
Temperature Effect on Zero	%FS/10°C	0.2 0.3
Temperature Effect on Span	%FS/10°C	0.2 0.3
Output	V	0 ~ 5, 1 ~ 5
	mA	4 ~ 20
Load Resistance	Ω	≥ 500 (Vout)
	Ω	250 ~ 1k (Lout)
Insulation Resistance	MΩ	≥ 1000 (100VDC)
Excitation - Recommended	V	12 ~ 36 (VDC)
Temperature - Compensated	°C	-20 ~ +50
Temperature - Operating	°C	-40 ~ +85
Safe Overload	%FS	120
Ultimate Overload	%FS	150
Threads	M	14x1.5 / 20x1.5
Cable length	m	3

Outline Dimensions(mm):



Ordering Details:

Code	Accuracy
B	0.2
C	0.3

Order Code PMS51 - [] - [] [] [] []
 Ordering Example: B - 1 5 0 B

Code	Measurement Range	
	Bar	Mpa
010B	10	1
020B	20	2
030B	30	3
050B	50	5
080B	80	8
100B	100	10
150B	150	15
200B	200	20
250B	250	25
300B	300	30
350B	350	35
400B	400	40
450B	450	45
500B	500	50
600B	600	60
700B	700	70

Electrical Connection:

