

Type: Pressure Transducers

Material: Stainless Steel
IP 65

Protection: Airproofed structure with high stability

Features: High accuracy and high reliability
Small volume, light weight and very convenient to use
Can be matched with record instruments or computer

Suitable for precision measuring for all kinds of static or non-crystal liquids, gases

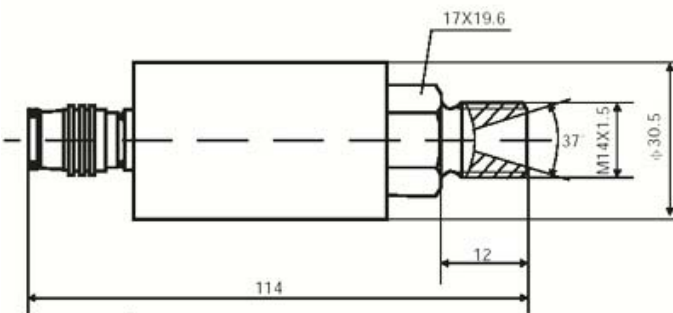
Applicable for high capacity pressure measurement that changes slowly



Specifications:

Capacity	Bar	10, 15, 20, 30, 40, 50, 60, 80, 100, 120, 150, 200, 250, 300, 350		
Accuracy Class		A	B	C
Non-linearity	%FS	0.1	0.2	0.3
Repeatability	%FS	0.1	0.2	0.3
Hysteresis	%FS	0.1	0.2	0.3
Temperature Effect on Zero	%FS/10°C	0.1	0.2	0.3
Temperature Effect on Span	%FS/10°C	0.1	0.2	0.3
Output	V	5.0 ± 0.02		
Zero Balance	mV	≥ ± 20		
Insulation Resistance	MΩ	≥ 1000 (100VDC)		
Excitation - Recommended	V	± 9 (VDC)		
Temperature - Compensated	°C	-20 ~ +50		
Temperature - Operating	°C	-40 ~ +85		
Safe Overload	%FS	120		
Ultimate Overload	%FS	150		
Threads	M	14x1.5 / 20x1.5		
Cable length	m	-		

Outline Dimensions(mm):



Ordering Details:

Code	Accuracy
B	0.2
C	0.3

Order Code PMS56 - [] - [] [] [] []
Ordering Example: [B] - [1][5][0][B]

Code	Measurement Range	
	Bar	Mpa
010B	10	1
015B	15	1.5
020B	20	2
030B	30	3
040B	40	4
050B	50	5
060B	60	6
080B	80	8
100B	100	10
120B	120	12
150B	150	15
200B	200	20
250B	250	25
300B	300	30
350B	350	35

Electrical Connection:

